

► Multiconnection Multifaster M202 series

Very similar to M201 series product, the Multiconnection **M202** series allows simultaneous connection and disconnection with minimal overall dimensions of 1 line 3/8" size and 1 line 1" size. Thanks to braze tubing adaptors installation is very easy and effective.
UL Listed: File N° SA13163.
 UL marking on request.



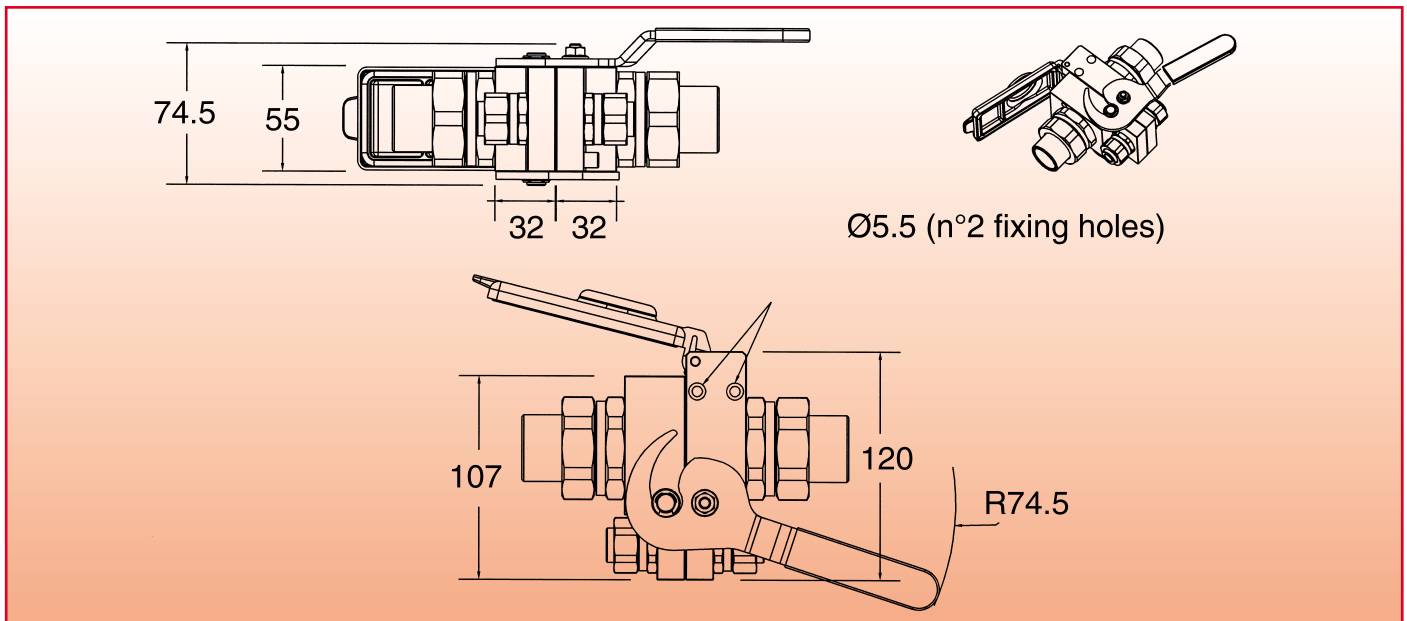
Patent Applications Pending

NEW **MULTIFASTER**
M202 SERIES



► **Technical data**

Coupling size	3/8" (06) - 1" (16)
Working pressure connected	8,3 MPa (1204 PSI)
Working pressure male part	4 MPa (580 PSI)
Working pressure female part	2,5 MPa (363 PSI)
Spillage (for each coupling)	3/8" : 0.05 cc. max - 1" : 0.2 cc. max
Air inclusion	3/8" : 0.05 cc. max - 1" : 0.2 cc. max
Working temperature	from -25°C (-13°F) to +140°C (+284°F)
Seals	Hydrogenated Nitrile Rubber (HNBR)



Images refer to one possible configuration. For further details please contact **Faster Technical Dept.**

► **Quick-release couplings for Multiconnection M202 series (braze tubing adaptors)**

❖	Female coupling	Male coupling	Ø Hole braze adaptor	Seals material	Adaptor tightening torque Nm
06	*KIT RFB06 TS095 FN	*KIT RFP06 TS095 MN	9,7 mm.	HNBR	20 ⁺⁵ ₋₀
	*KIT RFB06 TS125 FN	*KIT RFP06 TS125 MN	12,8 mm.	HNBR	
16	*KIT RFB16 TS220 FN	*KIT RFP16 TS220 MH	22,4 mm.	HNBR	20 ⁺⁵ ₋₀
	*KIT RFB16 TS255 FN	*KIT RFP16 TS255 MH	25,6 mm.	HNBR	
	*KIT RFB16 TS290 FN	*KIT RFP16 TS290 MH	28,7 mm.	HNBR	

❖ Size